

**Dome Mechanical Seal Fiber Optic Splice Closure
(FOSC)**

**GPJ-F
Installation Manual**

1. Scope of application

This Installation Manual suits for the Fiber Optic Splice Closure (Hereafter abbreviated as FOSC), as the guidance of proper installation.

The scope of application is: aerial, underground, pipeline, hand-holes. The ambient temperature ranges from -40 to 65 °C.

2. Basic structure and configuration 2.1

Dimension and capacity

Outside dimension (Height x Diameter)	455mm X 220mm
Weight (excluding outside box)	3300g— 4200g
Number of inlet/outlet ports	6 pieces
Diameter of fiber cable	Ø 8mm ÷ Ø 21 mm
Capacity of FOSC	Bunchy: 12-240 (cores), Ribbon: up to 576 (cores)

2.2 Main components

No.	Name of components	Quantity	Usage	Remarks
1	FOSC cover	1 piece	Protecting fiber cable splices in whole	Height x Diameter 350mm x 220mm
2	Fiber optic splice tray (POST)	Max. 10 trays (bunchy) Max. Strays (ribbon)	Fixing heat shrinkable protective sleeve and holding	Suitable for: Bunchy: 12, 24 (cores) Ribbon: 6 (pieces)
3	Base	1 set	Fixing internal and external structure	
4	Plastic hoop	1 set	Fixing between FOSC cover and base	
5	Gasket ring	1 set	Big gasket ring is used to seal FOSC cover and base. Small gasket ring is used to seal inlet/outlet tube	1 piece of big gasket ring, 6 pieces of small gasket ring
6	Pressure testing valve	1 set	After inject air, it is used for pressure testing and sealing testing	Configuration as per requirement
7	Earthing deriving deviv..	1 set	Deriving metallic parts of fiber cables in FOSC for earthing connection	Configuration as per requirement

2.3 Main accessories and special tools

No.	Name of accessories	Quantity	Usage	Remarks
1	. Heat shrinkable protective sleeve		Protecting fiber splices	Configuration as per capacity
2	Nylon tie		Fixing fiber with protective coat	Configuration as per capacity
3	Earthing wire	1 piece	Putting through between earthing devices	
4	Abrasive cloth	1 piece	Scratching fiber cables	
5	Labeling paper	1 piece	Labeling fibers	
6	Special wrench	2 pieces	Installing and tightening nut of reinforced core and nut (plastic) of inlet/outlet tube	
7	Measuring paper	1 piece	To measure perimeter, of which its diameter is enlarged with seal tape	
8	Seal tape	Iring	Enlarging diameter of fiber cable which fits in with gasket ring.	Configuration as per specification
9	Insulation tape	1 ring	Enlarging diameter of fiber cable for easy fixing	
10	Metal hoop	1 set	For wall mounting and pole hugging	
11	Buffer tube	decided by customers	Hitched to fibers and fixed with POST, managing buffer.	Configuration as per requirement
12	Desiccant	Ibag	Put into FOOSC before sealing for desiccating	

3. Necessary tools for installation

3.1 Supplementary materials (to be provided by operator)

Name of materials	Usage
Scotch tape	Labeling, temporarily fixing
Ethyl alcohol	Cleaning
Gauze	Cleaning

3.2 Special tools (to be provided by operator)

Name of tools	Usage
Fiber cutter	Cutting off fiber cable
Fiber stripper	Strip off protective coat of fiber cable
Combo tools	Assembling FOSC

3.3 Universal tools(to be provided by operator)

Name of tools	Usage and specification
Band tape	Measuring fiber cable
Pipe cutter	Cutting fiber cable
Electrical cutter	Take off protective coat of fiber cable
Combination pliers	Cutting off reinforced core
Screwdriver	Crossing/Paralleling screwdriver
Scissor	
Waterproof cover	Waterproof, dustproof
Metal wrench	Tightening nut of reinforced core

3.4 Splicing and testing instruments (to be provided by operator)

Name of instruments	Usage and specification
Fusion Splicing Machine	Fiber splicing
OTDR	Splicing testing
Provisional splicing tools	Provisional testing

Notice: The above-mentioned tools and testing instruments should be provided by the operators themselves.

4. Installation flow chart

1. Open the closure

2. Determine length of fiber cable to be fixed and stripped inside FOSC

3. Strip off protective coats of fiber cable and fiber

4. Separate fiber cores and prepare work prior to fixing fiber cable

5. Fix fiber cable and reinforced core

6. Splice fibers

7. Install heat shrinkable protective sleeve and house fibers

8. Check up comprehensively

9. Assemble FOSC housing and fix FOSC

5. The process of installing FOSC.

5.1 Step One - Open the closure

5.1.1 Cleaning the locale and determine where to install the FOSC and then place fiber cables required.

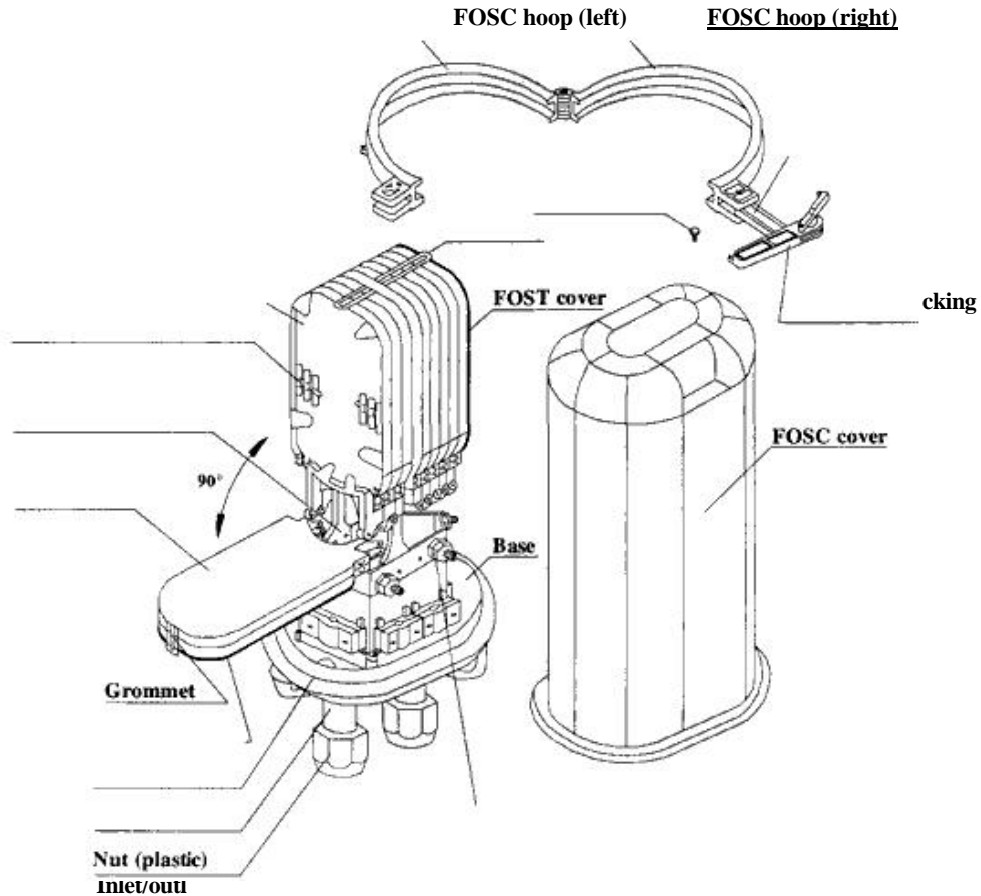
5.1.2 Check whether the main components and accessories have been well prepared inside the package.-

5.1.3 Open the closure

- © demount hoop fixing bolt and pull hoop locking system out, then proceed in demounting the hoop. (D Pull the FOSC cover upwards out, installation could begin.

5.1.4 See Drawing 1

Important issues: If the weather condition is not good enough, then a tent must be pitched for waterproof and dustproof.



Drawi

5.2 Step Two -Determine length of fiber cable to be fixed and stripped inside FOSC

5.2.1 ©. Fiber cable in 120mm length: the distance from small gasket ring to fiber cable pressboard

(2). Fiber cable in 1740mm length: it is used to be wound and spliced after stripping. (3). Fiber with protective coat in 140mm length: the distance from the fixing point of

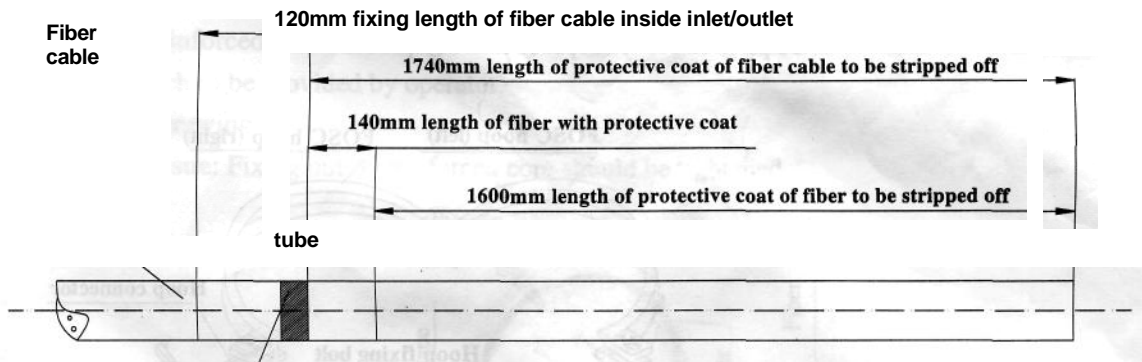
fiber cable to the fixing point of FOST (fiber optic splice tray). ?. Fiber in 1600mm length: after stripping off the protective coat, it is to be wound

inside the POST after splicing with other fibers

5.2.2 See Drawing 2

Important issues:

1. Reserve enough length of fiber cable to be spliced.
2. Stripping length also could be decided by customers according to installation requirement



Temp, locating mark

Drawing 2

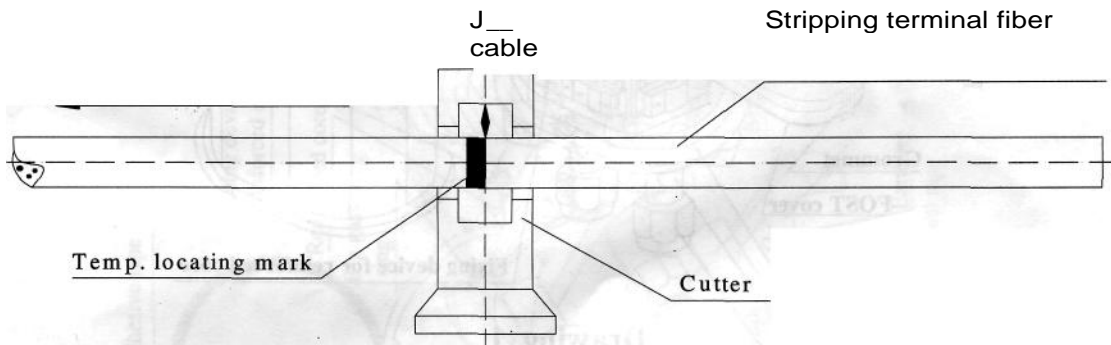
5.3 Step Three -Strip off protective coat of fiber cable and fiber

5.3.1 Strip off protective coat of fiber cable from the temp, locating mark with the cutter and

the stripper, please refer to Drawing 2 for stripping length. Stripping length also could be decided according to installation requirement

5.3.2 See Drawing 3.

Important issues: If it is difficult to pull all the protective coat of fiber cable at one time, strip it off section by section to avoid fiber breakage.



Inlet terminal fiber cable

5.4 Step Four - Separate fiber cores and prepare work prior to fixing fiber cable.

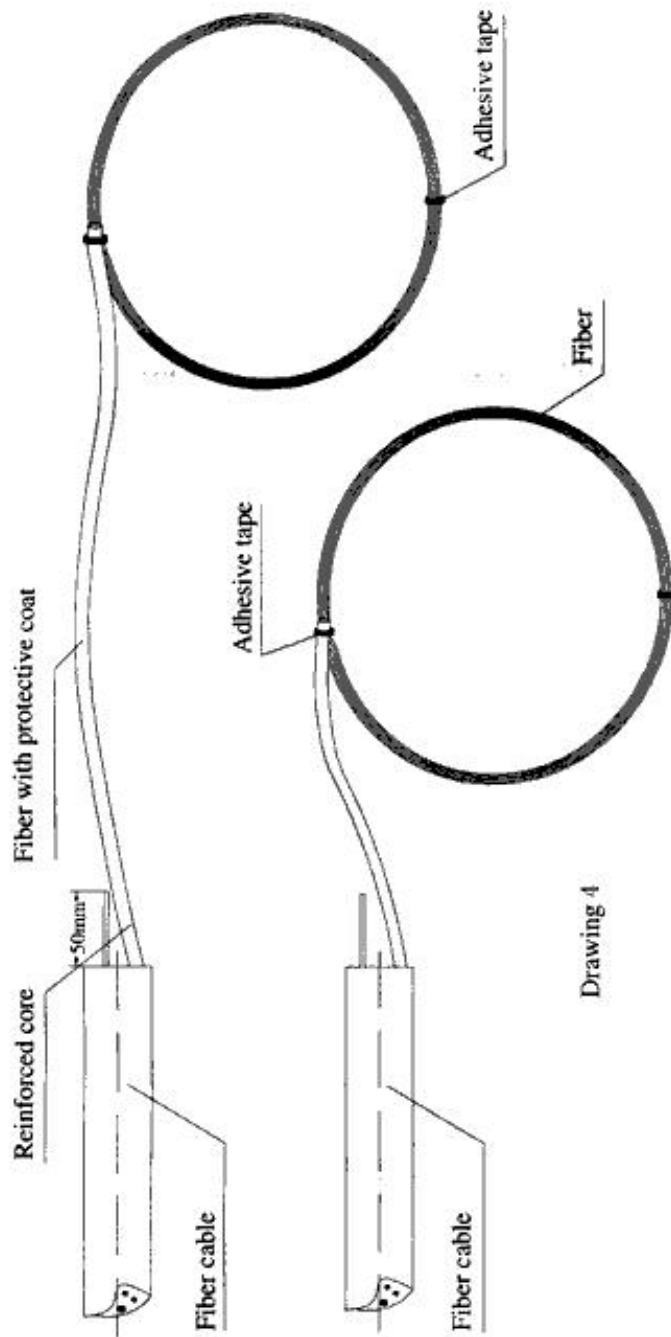
5.4.1 Wind 2 layers of insulation tape on protective coat of fiber core for protection. Meanwhile, get rid of the stuffing to separate fiber core and clean them. Form a ring

with the diameter of 100mm or so and fix it on the fiber cable temporarily by adhesive tape.

5.4.2 Reserve reinforced core in 50mm length and cut off the unnecessary ones.

5.4.3 See Drawing 4.

Important issues: Inlet/outlet tubes are to be selected accurately to make it easy for splicing and sealing.



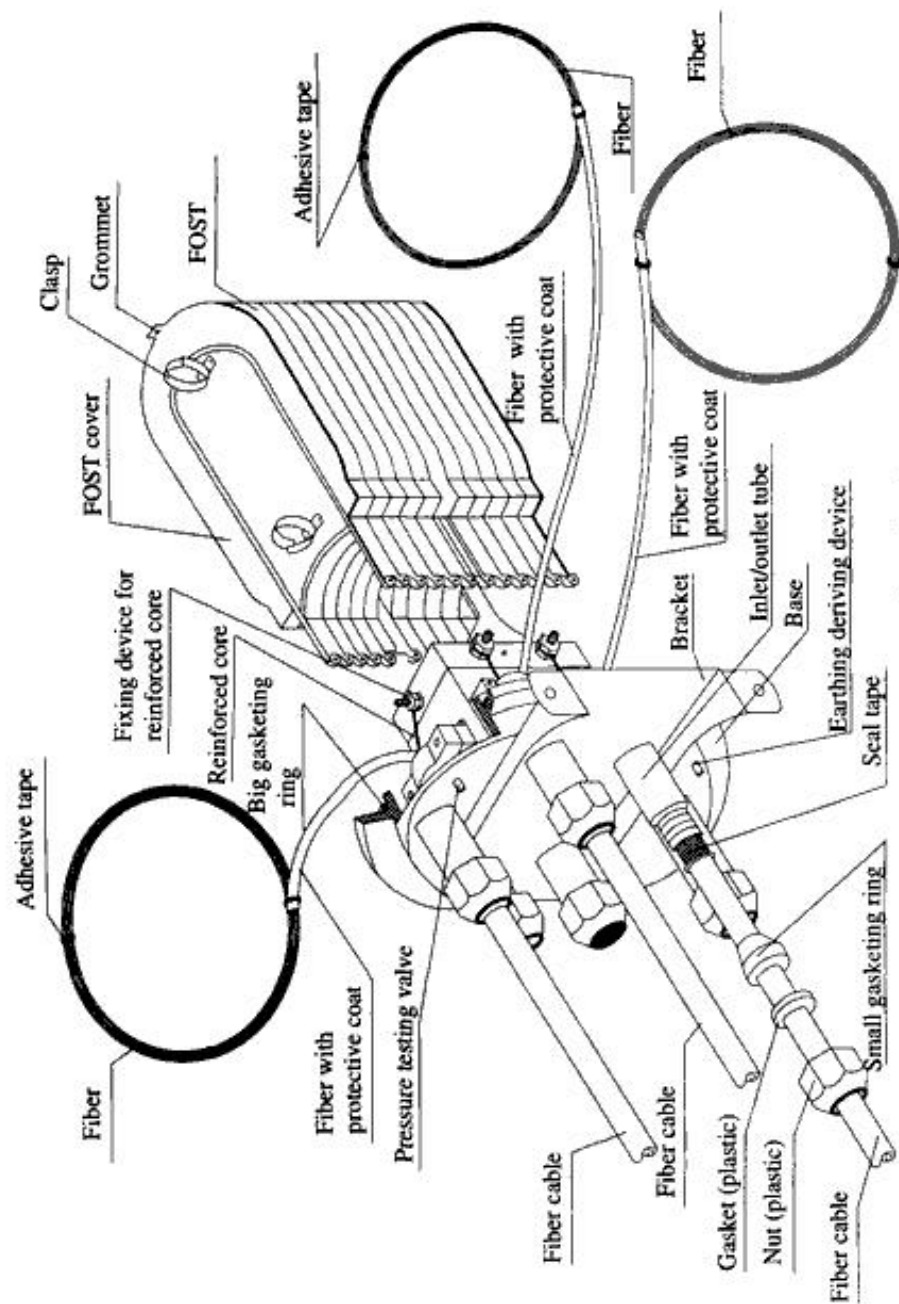
Drawing 4

5.5 Fix reinforced core, and pyrocondense, fix and seal fiber cable.

- 5.5.1 This FOSC is provided with 6 inlet/outlet tubes, among these tubes, 2 inlet/outlet tubes suit for fiber cable with max. diameter $\langle J \rangle$ 21mm, 4 inlet/outlet tubes suit for fiber cables with max. diameter $\langle j \rangle$ 16mm.
- 5.5.2 After deciding number of fiber cable inlet/outlet, demount the nut, gasket and gasket ring of the corresponding inlet/outlet tubes according to the diameters of fiber cables actually to be installed, insert them into fiber cable in sequence, then insert fiber cables "into inlet/outlet cable , tighten the nut in order to seal properly.

- 5.5.3 Do not demount the nut of inlet/outlet tubes which fiber cables are not installed.
- 5.5.4 While diameter is not big enough, enlarge the diameter with seal tape at fixing position of small gasket ring in order to improve sealing.
- 5.5.5 Fix fiber cable to the fixing seat, press it with the pressboard. While diameter is small, enlarge the diameter with insulation tape at the fixing position of fixing seat.
- 5.5.6 Demount the nut of fixing device of reinforced core with special wrench (plastic one), set reinforced core into fixing slot, tighten the nut, retighten it with metal wrench (metal wrench to be provided by operator).
- 5.5.7 See Drawing 5

Important issue: Fixing nut of reinforced core should be tightened.



Drawing 5

5.6 Step Six - Splice fibers

5.6.1 Follow user manual of fusion splicing machine to splice fiber.

Important issue: pay attention to the twist and bend of fiber

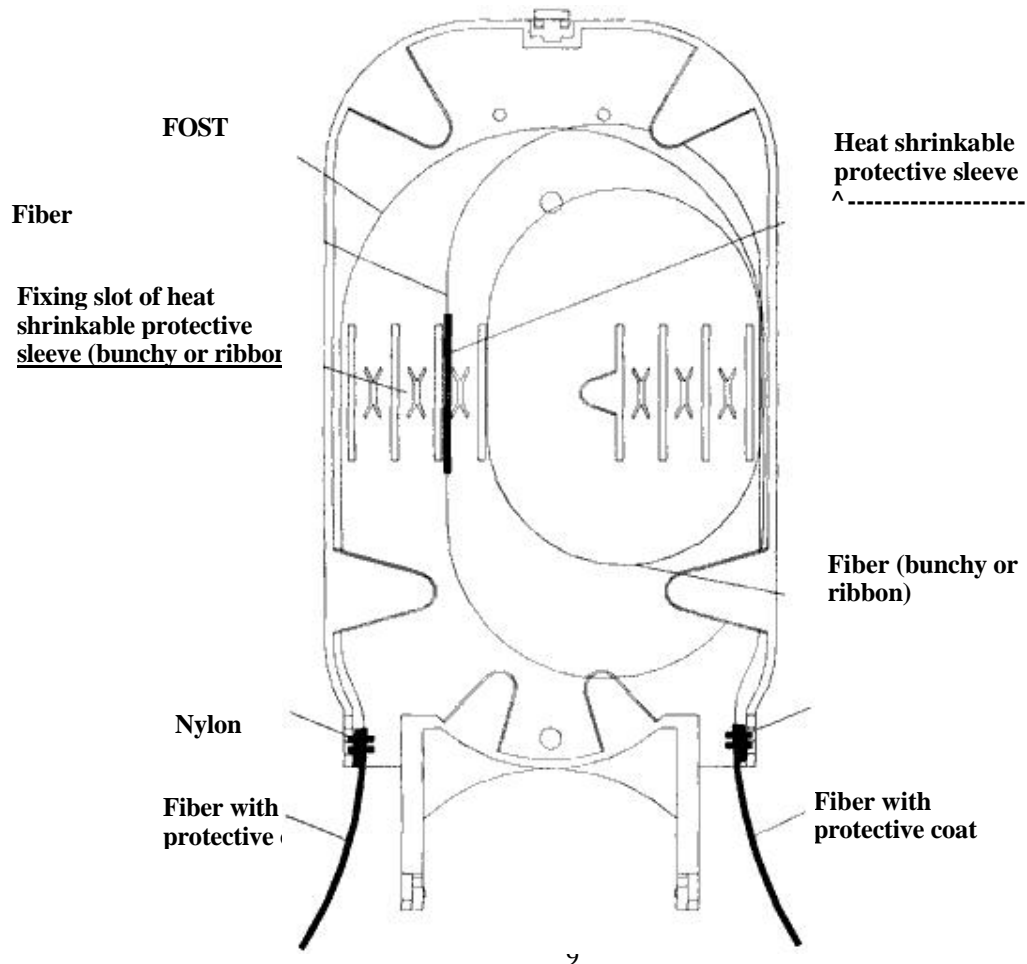
5.7 Step Seven -Install heat shrinkable protective sleeve and house fibers.

5.7.1 When having completed flicing the fibers, the first fiber ring should be housed on the farthest side of POST, the remaining fiber should be winded, forming a ring with diameter not less than 80mm. then put it into FOST (Fiber Optic Splice Tray) together with heat shrinkable protective sleeve.

(Firstly fix heat shrinkable protective sleeve into the slot, then enlarge the diameter of fiber ring properly.)

5.7.2 See Drawing 6

Important issue: pay attention to the twist and bend of fiber.

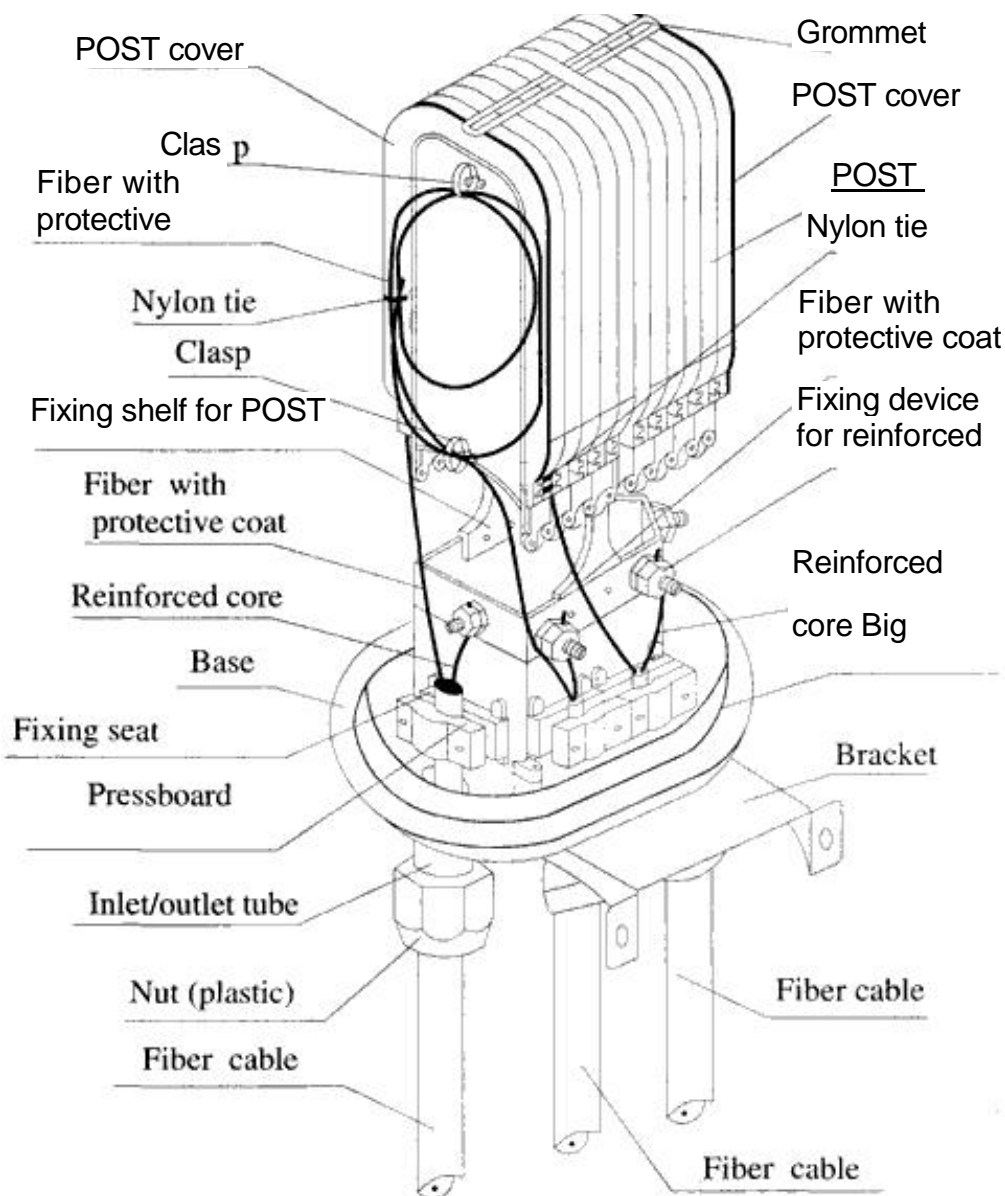


5.8 Step Eight - Check up comprehensively

To ensure the technical requirements, the following instructions must be followed:

- 5.8.1 Fibers with protective coat are fixed with nylon tie at the entrance of POST.
- 5.8.2 Grommet should be pressed from inside to outside in order to properly install POST.
- 5.8.3 If there are fibers with protective coat reserved, wind it into the clasp.
- 5.8.4 Check whether the internal tighteners and reinforced core are well tightened.
- 5.8.5 Check whether gasket ring is installed neatly and smoothly without any breakage. If not, level it up with seal tape.
- 5.8.6 See Drawing 7.

Important issues: If any problems occur, they should be solved right away.

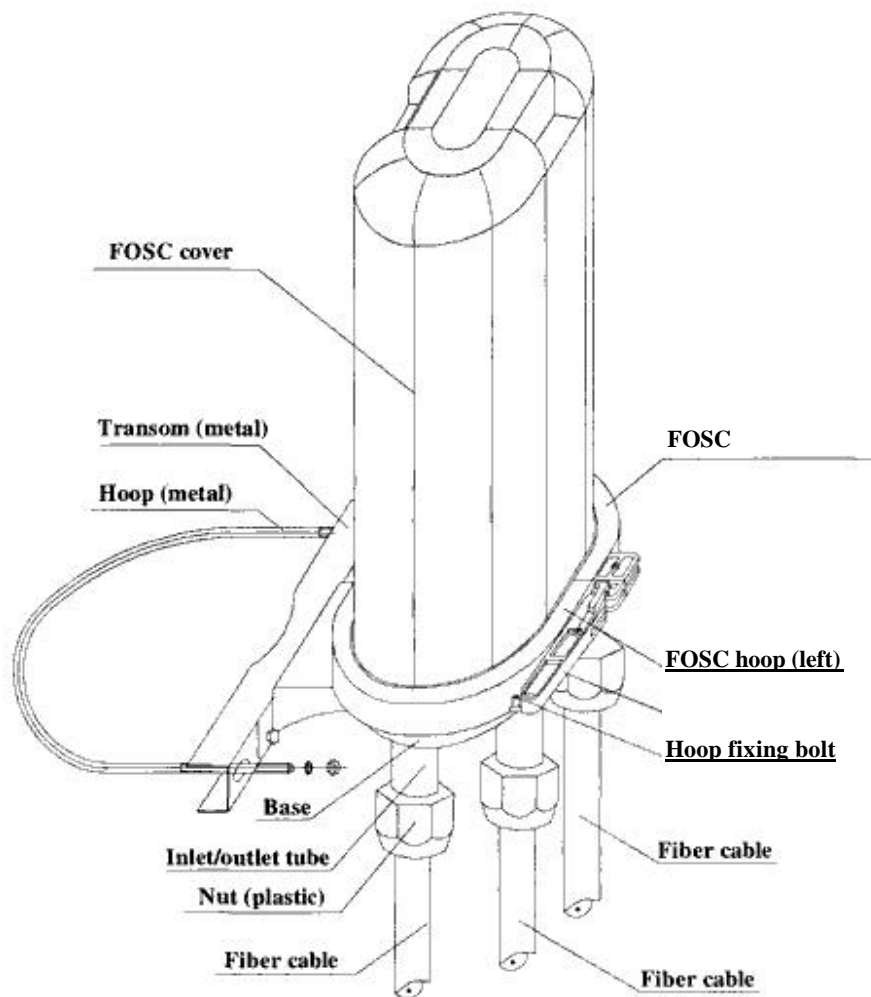


Drawing 7

5.9 Step Nine - Assemble FOSC housing and fix FOSC

- 5.9.1 Put FOSC cover on base directly.
- 5.9.2 Install plastic hoop between FOSC cover and the base, aim at central point of the FOSC, tighten hoop locking system, which is to be fixed by hoop fixing bolt then.
- 5.9.3 All nuts (plastic ones) of base need to be retightened once more.
- 5.9.4 FOSC installation
 - © Aerial application: fix metal hoop and transom to the pole. Please refer to Drawing 8
 - (2) Wall mounting application: fix the bracket on the wall with the bolt, (metal hoop is not required.)
 - (3) Underground application: metal hoop is not required.
- 5.9.5 See drawing 8

- Important issues:**
- 1. Pay attention while installing plastic hoop.
 - 2. The specification of the bolt for wall-mounting is M8.



Drawing 8

6. Fiber Optic Splice Closures (FOSC) inspecting and testing items

Inspecting item	Technical Requirements	Inspecting type	
		Routine test (Before leaving factory)	Type test
Package	Each small package contains one fiber optic splice closure, together with its accessories, tools, installation manual and packing list.		
Appearance	Intact in shape, no burrs, bubbles, chaps, pores, warps, impurities and other defects, all background colors should be even and continual.	full	
Sign	There is a clear sign on the housing, such as name and model of the product, etc.		
Fiber storage device	The fibers reserved are to be winded in fiber optic splice tray (POST), the length of fibers housed in POST is >1.6m, the curved radius is >30mm. During the installation and maintenance, there should be no attenuation on fibers.		
Electrical jointing device	Inside FOSC: metallic components of fiber cables has the functions of electrical putting through, earthing connection and disconnecting. It is possible to install earthing deriving device outside the housing		At least 3 sets
Sealing performance	After sealing according to the stipulated operation procedures, the injected air pressure is 100KPa±5Kpa, when immersed in clean water of normal temperature for 15 minutes, there should be no air bubbles, then observed for 24 hours, there should be no change of air pressure.	At least 3 sets sampled each time	sampled each time
Re-sealing performance	After reopening and resealing according to the stipulated operation procedures, the injected air pressure is 100KPa + 5Kpa, when immersed in clean water of normal temperature for 15 minutes, there should be no air bubbles, then observed for 24 hours, there should be no change of air pressure.		
Pull	Bearing pull is = SOON at axle orientation, there should be no breakage on the housing.		
Punching	Bearing pressure of 2000N/10cm for 1 minutes, there should be no breakage on the housing		
Impact	Bearing impact energy of 16N*m, 3 times of impacts there should be not breakage on the housing		

Bending	The spot between the FOSC and seal fitting can bear bending tension of 150N at bending angle of $\pm 45^\circ$ for 10 circles, there should be no breakage on the housing		
Torsion	Bearing torsion 50N*m, 10 circle at torsion angle $\pm 90^\circ$ There should be no breakage on the housing.		
Temperature circle	Injected air pressure of 60KPa+5 KPa, the temperature circle ranging from -40°C ~ $+65^\circ\text{C}$, 10 times of the circular tests (one circular consists of high temperature for 2 hours + indoor temperature for 2 hours + low temperature for 2 hours + indoor temperature for 2 hours) when the pressure declines, the amplitude is 5Kpa, immerse the swatch in clean water of normal temperature for 15 minutes, there should be no air bubbles.	full At least 3 sets sampled each time	At least 3 sets sampled each time
Voltage resistance strength	After sealing the FOSC according to the stipulated operation procedures, immerse it in clean water of normal temperature in 1.5m depth for 24 hours, there should be no breakdown or arc over between the metallic components of the FOSC, between metallic components and the ground at DC 15KV for 1 minutes.		
Isolating resistance	After sealing the FOSC according to stipulated operation procedure, immerse it in clean water in 1.5m depth for 24h, the isolating resistance between the metallic components of the FOSC, between the metallic components and the ground should be $= 2 \times 10^4 \text{M}^\wedge$.		